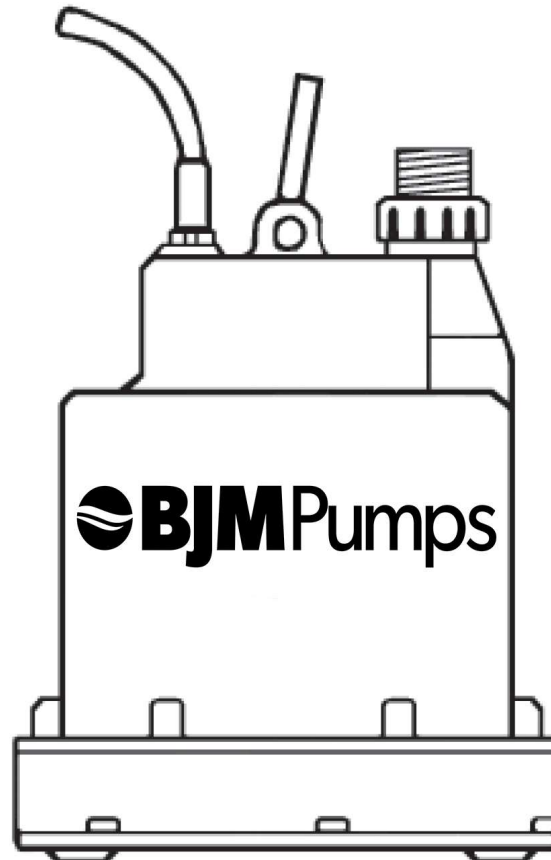


THE "BABY"

12 VOLT D.C. SUBMERSIBLE PUMP

USER-MANUAL



*** CAUTION: READ ALL INSTRUCTIONS
CAREFULLY BEFORE
OPERATING PUMP**

BJM Pumps

123 Spencer Plain Road * Old Saybrook CT 06475
Phone (860) 399-5937 Fax (860) 399-7784
<http://www.bjmpumps.com>

OPERATION

Place pump on flat, solid surface in at least 3/4" of water. Connect garden hose to hose adaptor or install 1" threaded pipe directly into the discharge of the pump. Connect power supply cord to a 12 Volt D.C. grounded receptacle.

When using pump on a dirt or sand surface, always have outer screen in place to prevent mud or debris from entering the pump.

MAINTAINING YOUR PUMP

The motor housing of the "BABY" pump is completely sealed and requires no service. Disassembly of the housing or the power cord will void the warranty.

The motor of this pump has a built-in thermal overload protector that will automatically shut the pump off if the operating temperature of the motor becomes too high.

If the pump becomes clogged; disconnect the power source, remove the outer screen, and flush thoroughly with water. If the impeller will not turn, remove the six screws that secure the pump volute (Fig. 1) and check for debris that may be lodged between the impeller and volute.

CAUTION: Not suitable for use in corrosive or flammable liquids.

REPLACEMENT PARTS

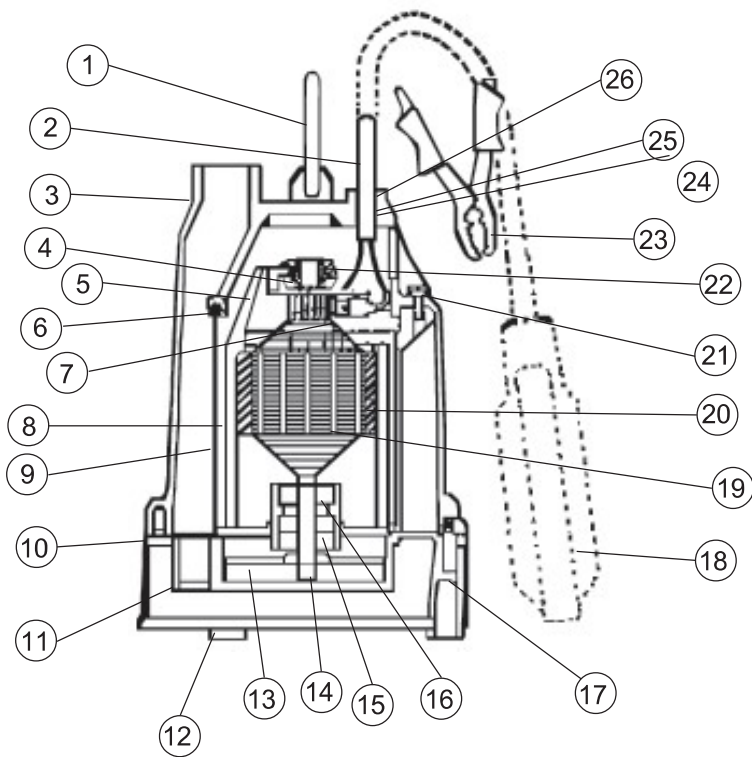


Fig.1

POSITION	DESCRIPTION
1	Handle
2	Power cord
3	Pump body
4	Bushing
5	Brush holder bracket
6	O-ring seal
7	Brushes
8	Magnet holder
9	Motor housing
10	Gasket
11	Strainer/Suction Cover
12	Bottom Plate
13	Impeller
14	Circlip
15	Lip seal
16	Ball bearing
17	Screw
18	Float switch (optional)
19	Rotor
20	Magnet
21	Screw
22	Spring
23	Battery clip
24	Bushing
25	Washer
26	Cable Gland